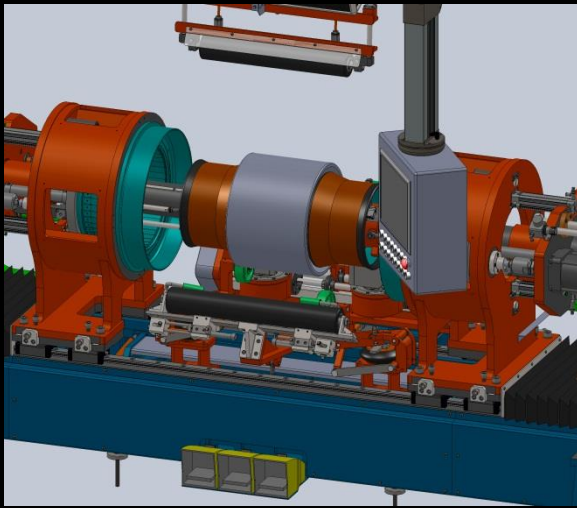


# Upgrade/Retrofit & Custom Designed equipment

Intereuropean offers the possibility to upgrade the existing machinery by replacement of the old and obsolete control systems and adding new features/functionality requested by the modern tyre design and production requirements.

The upgrades / retrofits provided by the company include:

- Upgrade of old 1<sup>st</sup> Stage Tire Building Machines NRM/Pirelli A70 type with the new bladder turn-up system and modern control system
- Upgrade of old 2<sup>nd</sup> Stage Tire Building Machines SAI/T10/TR20 Pirelli type with the new Spiral Nylon Overlay Servicers, Tread out of Spool Servicers, Bead-lock type shaping drum, Twind Drum Belt&Tread Turret, Automatic Breaker Servicers and modern control system
- Upgrade of existing Tire Testing Machines (Hofmann, Seichter etc.) with new type sensors, controls, modern drives and new features
- Upgrade of existing Extrusion / Calender Lines with new let-off & wind-up stations, new controls, new laser measurement systems etc.
- Upgrade of old Textile Bias cutters with new automatic splicing and wind-up stations, keeping existing let-off and cutting conveyors
- New 1<sup>st</sup> Stage/Uni-stage Drums, Breaker drums, Transfer Rings, Shaping Drums, automatic laser lights position markers and other equipment for upgrade of tire building machines
- New extruders and screws for existing extruders
- Other specific upgrades requested by the customers



1st Stage TBM Upgrade Bladder turn-up system



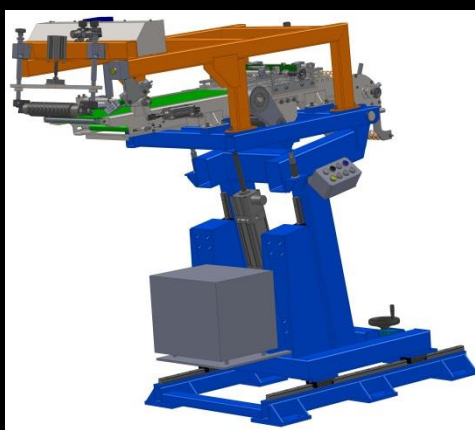
2nd Stage TBM Upgrade



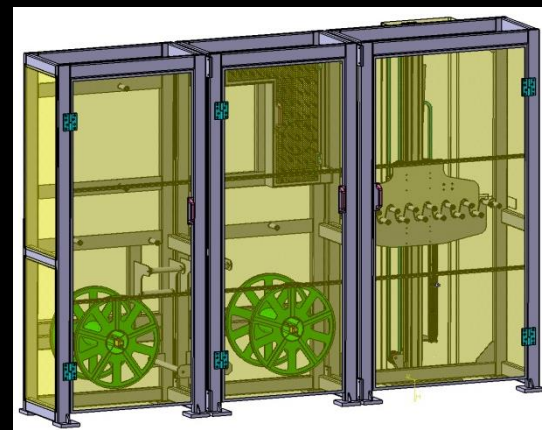
2nd Stage TBM Upgrade (TR20)



2nd Stage TBM Upgrade Twin Drums Turret



Tread out of Spool Servicer

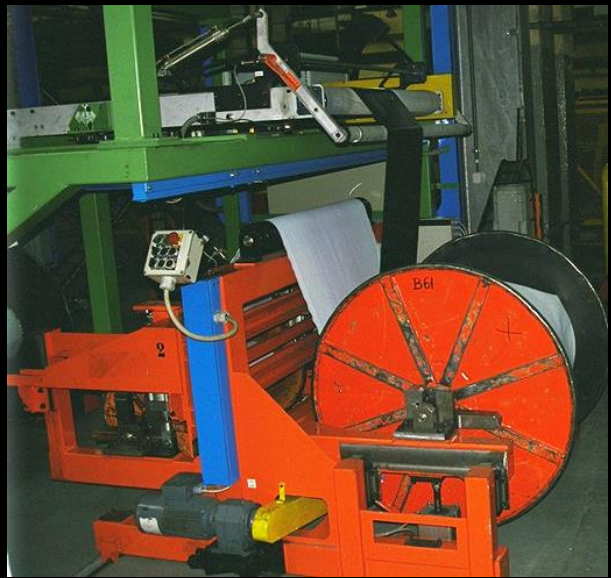


Spiral Nylon Overlay Servicer





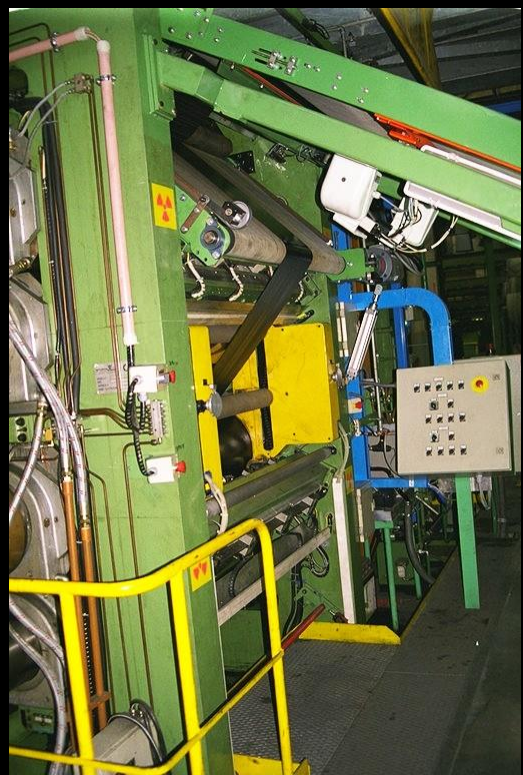
Upgrade of old Bias Cutter Lines



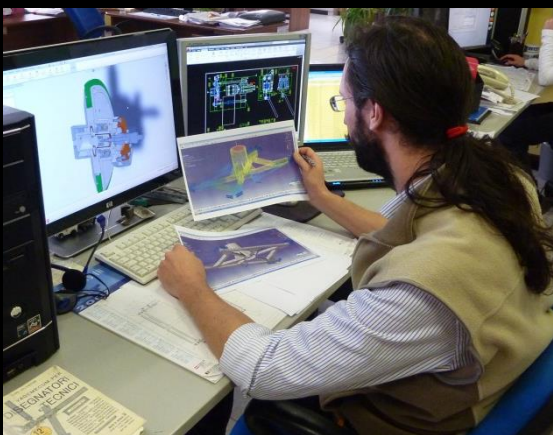
New Wind-up stations for Calender/Extrusion Lines



Upgrade of old Tire Testing Lines  
(Force Variation / Geometry / Balancing)



Upgrade of old Calender Lines  
(Control & Supervision System, Automation)



**INTEREUROPEAN**  
Machinery & Engineering

**INTEREUROPEAN S.r.l.**

Via Repubblica 21, 22070 Grandate (Como) ITALY

Tel: (+39) 031 565403 Fax: (+39) 031 5472170

info@intereuropean.it <http://www.intereuropean.it>